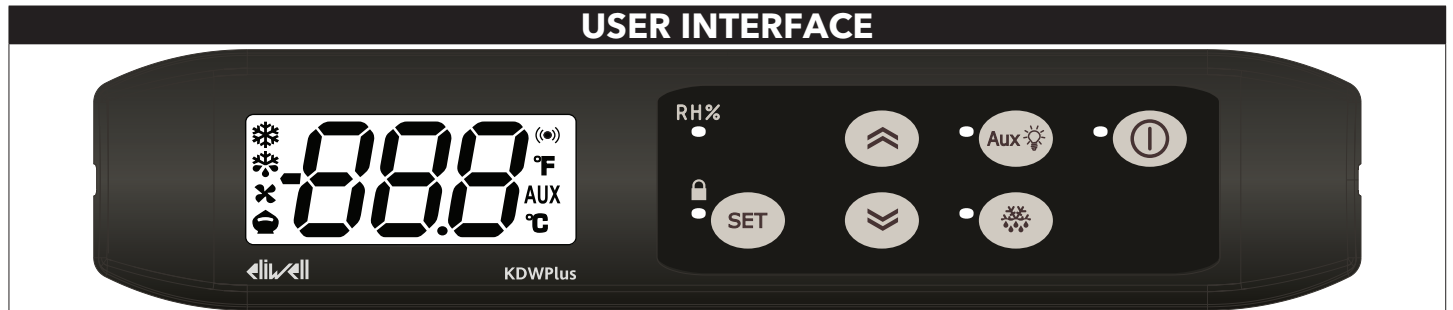


# KDWPlus

Panel keypad 180x37 for controllers for refrigerated cabinets.



User terminal for full display and programming of controllers for ducted and plug-in refrigerated cabinets. Each power board can be connected to a single KDEPlus keypad and if required to an ECHO module for remote display. The keypad is not compatible with IWP series instruments.



## KEYS

	<b>UP</b>		<b>ON/OFF (STAND-BY)</b>
	<b>DOWN</b>		<b>SET (ENTER)</b>
	<b>DEFROST (ESC)</b>		<b>AUX/LIGHT</b>

## ICONS

	Reduced SET / Economy active		Alarm active
	Compressor active		Defrost active
	Fans active	<b>AUX</b>	AUX output active
<b>°C</b>	Main view in °C	<b>°F</b>	Main view in °F

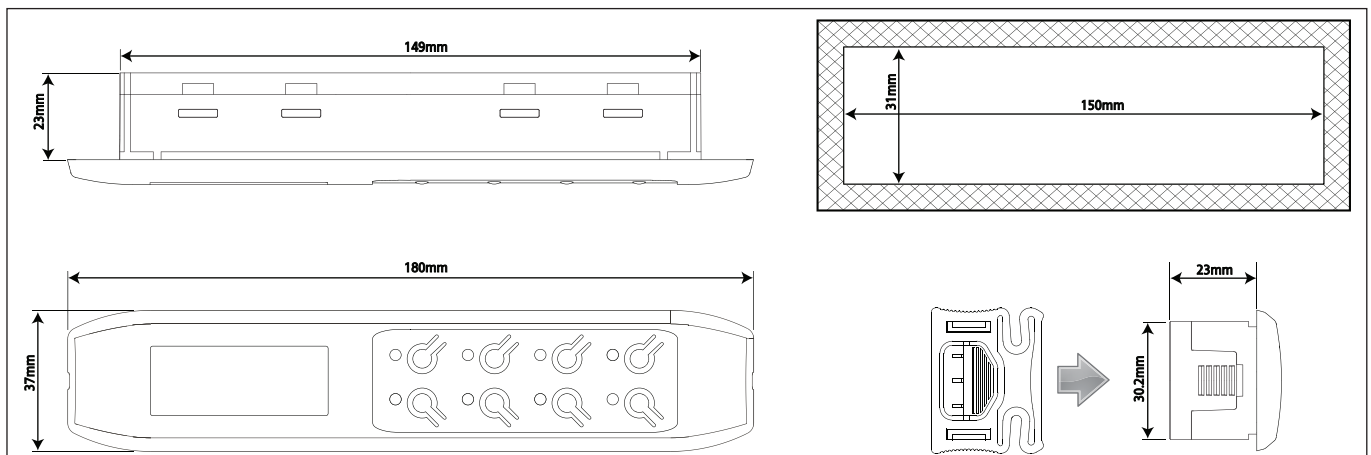
## LEDS

<b>RH%</b>	Forced fans (Hxx = 15)		Keyboard locked
<b>Aux</b>	Light relay activated by key		Defrost active
	Instrument OFF		

## MECHANICAL INSTALLATION

The device is designed for panel mounting. Drill a 150x31 mm hole and insert the instrument; secure it with the special brackets provided. Do not install the device in places subject to high humidity and/or dirt; it is intended for use in sites with ordinary or normal levels of pollution.

Keep the area around the instrument cooling slots adequately ventilated.



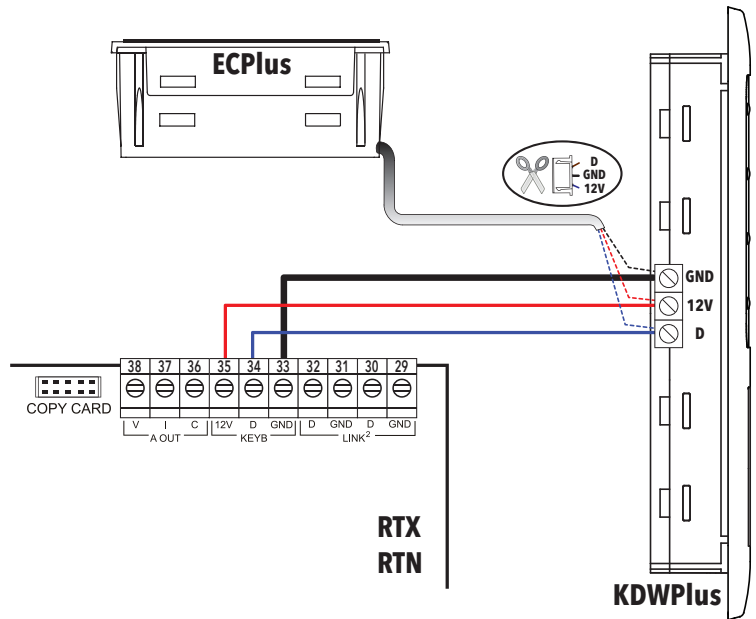
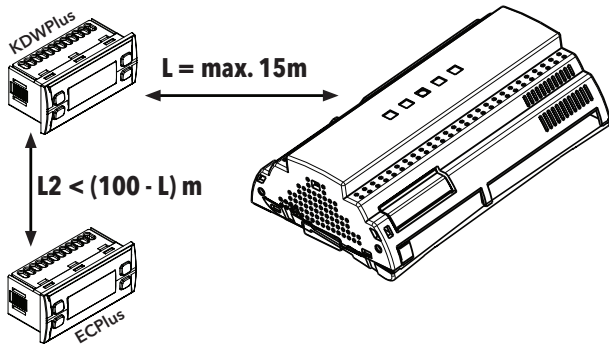
## TECHNICAL SPECIFICATIONS

Mounting:	panel mounting with 150x31 mm (+0.2/-0.1 mm) drilling template.
Power supply:	from power board
Casing:	PC+ABS UL94 V-0 resin casing, polycarbonate window, thermoplastic resin keys
Dimensions:	front panel 180x37 mm, depth 23 mm
Terminals:	screw-type for wires with cross-section of 2,5mm <sup>2</sup>
Connectors:	JST for connection to ECHO display module (ECPlus)
Humidity:	Usage / Storage: 10...90 % RH (non-condensing)
Buzzer:	YES

**NOTE:** For all technical and normative information not indicated in this section, refer to the "Technical Specifications" section of the documents relating to the power board to which the product is connected.

## EXAMPLE OF CONNECTIONS

### KDWPlus + RTX-RTN + ECPlus connection



#### NOTE:

It is possible to connect an ECHO module (ECPlus) to a KDWPlus on the same terminal of the power board.

# eliwell

#### Eliwell Controls s.r.l.

Via dell'Industria, 15 • Z.I. Paludi  
32010 Pieve d'Alpago (BL) - ITALY  
Telephone: +39 0437 986 111  
Facsimile: +39 0437 989 066  
[www.eliwell.com](http://www.eliwell.com)

#### Technical Customer Support:

Technical helpline: +39 0437 986 300  
E-mail: [techsuppeliwell@invensys.com](mailto:techsuppeliwell@invensys.com)

#### Sales:

Telephone: +39 0437 986 100 (Italy)  
+39 0437 986 200 (other countries)  
E-mail: [saleseliwell@invensys.com](mailto:saleseliwell@invensys.com)



cod. 9IS24235-1 - KDWPlus - rel.03/12 - EN -

© Eliwell Controls s.r.l. 2012 - All rights reserved.